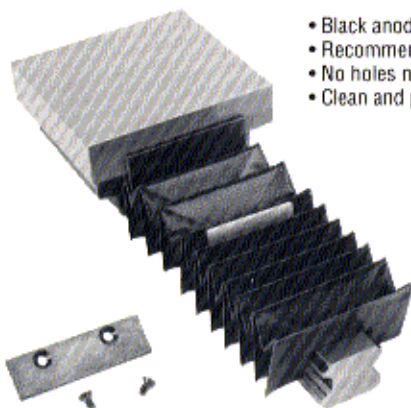
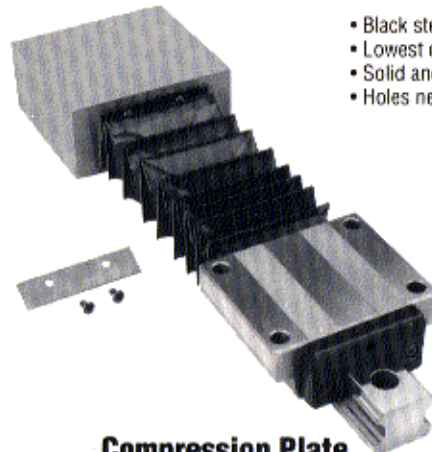


Mounting Styles



- Black anodized aluminum
- Recommended best solution
- No holes needed in cover
- Clean and professional looking

Mounting Clip



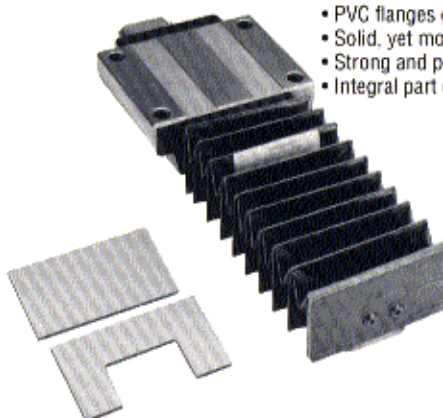
- Black steel plate
- Lowest cost option
- Solid and strong
- Holes needed in cover

Compression Plate



- Self adhesive hook/loop
- Fast and very easy installation
- Strong bond: resistant to oils, coolants
- Best when frequent inspection is needed

Hook/Loop Fastener



- PVC flanges glued to cover
- Solid, yet most expensive option
- Strong and permanent installation
- Integral part of cover, no extra parts

Mounting Flanges

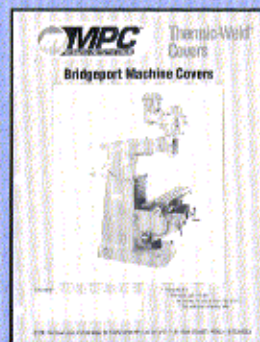
Other Literature Available



Design Handbook

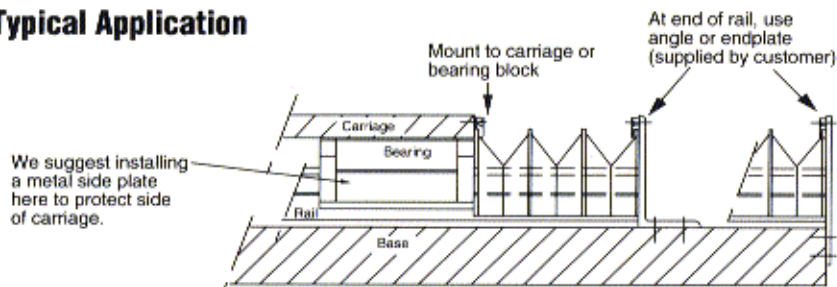


Standard Rail Covers



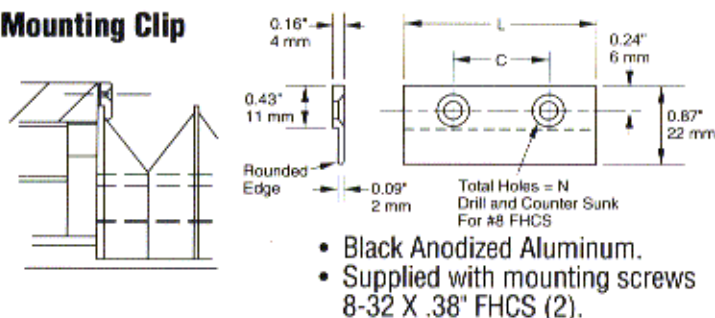
Bridgeport Kits

Typical Application



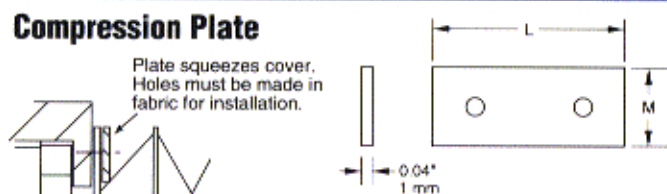
- Mix and match for best solution
- Contact applications engineers for more information and ideas

Mounting Clip



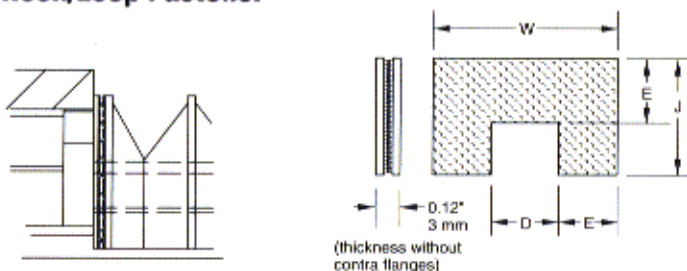
- Black Anodized Aluminum.
- Supplied with mounting screws 8-32 X .38" FHCS (2).

Compression Plate



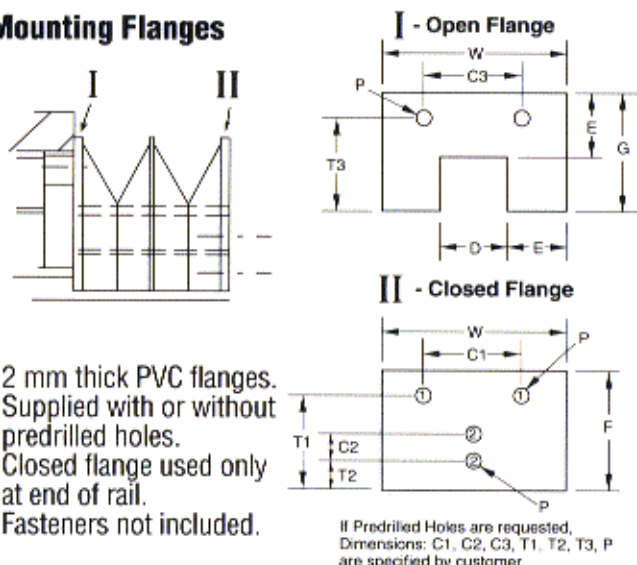
- Black Oxidized Steel.
- Supplied without holes. (Customer drills at installation.)
- Supplied with 8-32 X 0.38" BHCS (2).

Hook/Loop Fastener



- Hook /Loop has "peel & stick" self adhesive back.
- Self adhesive is very strong and is excellent for clean surfaces.
- Also supplied: 2 mm thick PVC contra flange to be used when self adhesive cannot be applied to machine.
- **Self adhesive must cure minimum 24 hours to achieve strength.**

Mounting Flanges



- 2 mm thick PVC flanges.
- Supplied with or without predrilled holes.
- Closed flange used only at end of rail.
- Fasteners not included.

Nominal Rail Size (mm)	W	L	D	E	F	G	J	M	C	N									
15	2.20	56	2.05	52	0.71	18	0.75	19	1.30	33	1.18	30	1.18	30	0.71	18	1.02	26	2
20	2.40	61	2.24	57	0.91	23	0.75	19	1.50	38	1.38	35	1.38	35	0.71	18	1.14	29	2
25	2.65	67	2.48	63	1.14	29	0.75	19	1.61	41	1.42	36	1.42	36	0.71	18	1.26	32	2
30	2.85	72	2.68	68	1.34	34	0.75	19	1.93	49	1.69	43	1.69	43	0.71	18	1.34	34	2
35	3.00	76	2.83	72	1.50	38	0.75	19	1.93	49	1.65	42	1.65	42	0.71	18	1.42	36	2
45	3.45	88	3.27	83	1.97	50	0.75	19	2.28	58	1.97	50	2.00	50	0.71	18	1.10	28	3
55	4.25	108	4.09	104	2.28	58	1.00	25	2.80	71	2.32	59	2.00	50	0.94	24	1.38	35	3
65	5.20	132	5.04	128	2.68	68	1.25	32	3.46	88	2.95	75	2.00	50	1.18	30	1.26	32	4

Dimension in inches
mm