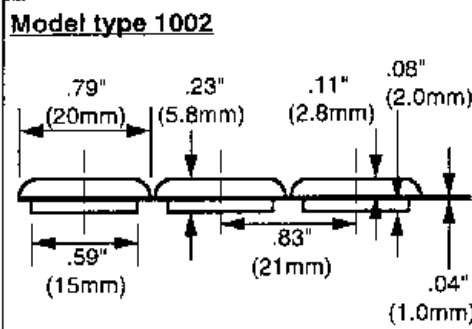


Product Information

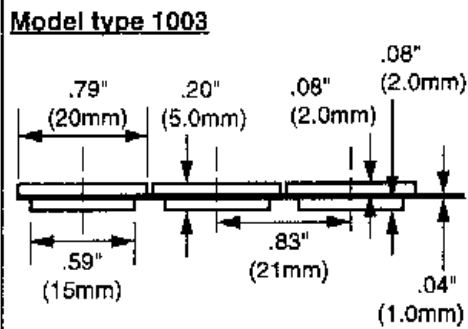
Heavy Duty Riveted Aprons

Riveted apron bands are used where strong protection is needed. The aprons can withstand hot chips and heavy loads. Heavy duty aprons consist of metal links riveted to the top and bottom of base fabric. They are durable, liquid tight, have a small bend radius and can be walked on in some applications. The heavy duty aprons are available in three different model types which are described below. Light duty aprons, which have metal links on the top side only, are also available.



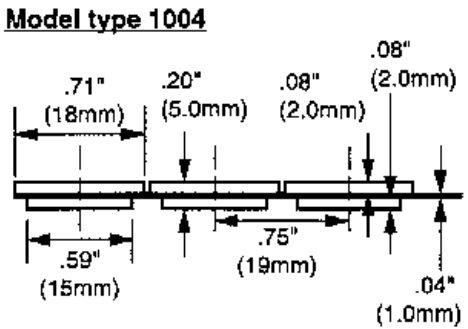
Type 1002 is used if chips hit the cover at bend or roll locations. The curved links assure that chips don't get pinched in the cover gaps as the cover bends. Top slats must be aluminum for type 1002. Type 1002 is not available with a canister or brush.

Standard Model Code =
HDRA-1002-width-length-AL-AL-2-0



Type 1003 is the most commonly used heavy duty type. Works well with a canister and brush if needed.

Standard Model Code =
HDRA-1003-width-length-AL-AL-2-0

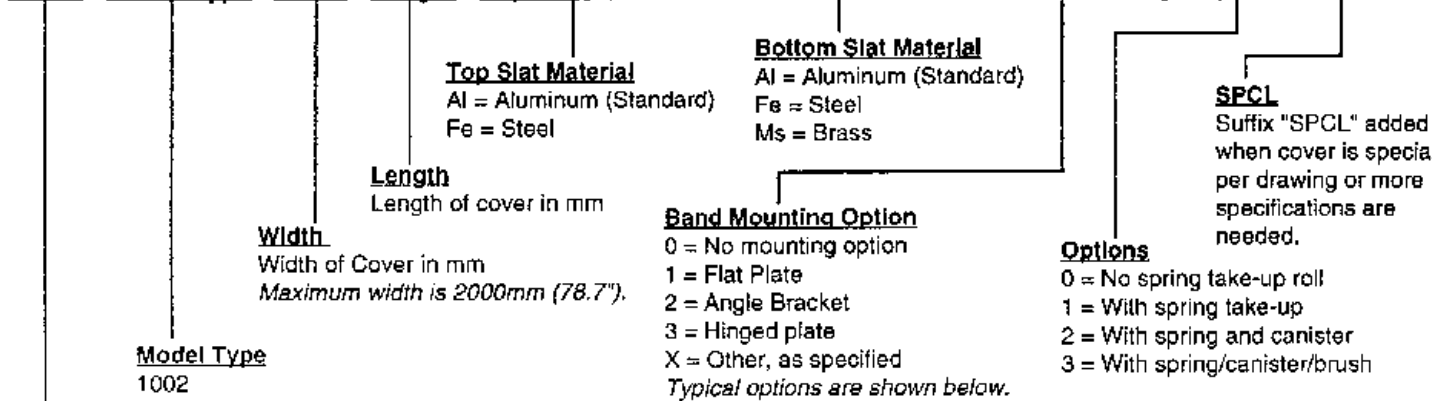


Type 1004 is the best choice for bending in the opposite roll direction. Works well with a canister and brush if needed.

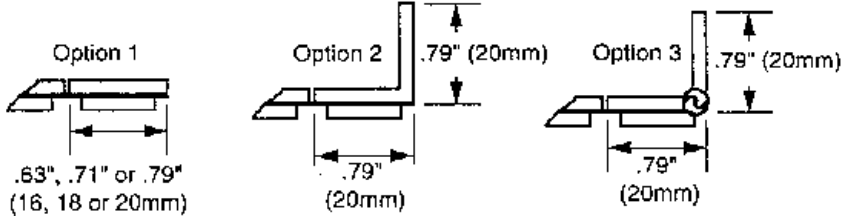
Standard Model Code =
HDRA-1004-width-length-AL-AL-2-0

HEAVY DUTY MODEL CODE DESCRIPTIONS:

HDRA - Model Type - Width - Length - Top Slat Material - Bottom Slat Material - Band Mounting - Options - SPCL



HDRA = Heavy Duty Riveted Apron



Standard base fabric for the heavy duty riveted apron is neoprene and hypalon coated polyester [Thickness = .04" (1.0 mm)]. Other materials may be specified. Contact the factory for special applications.